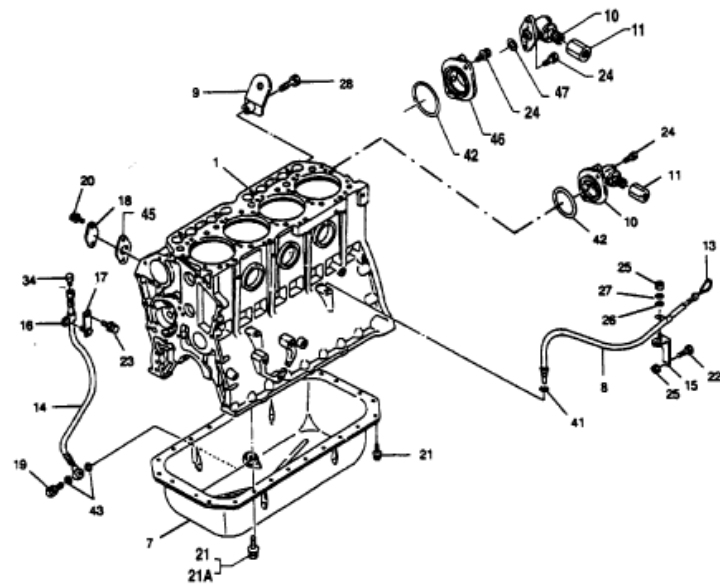
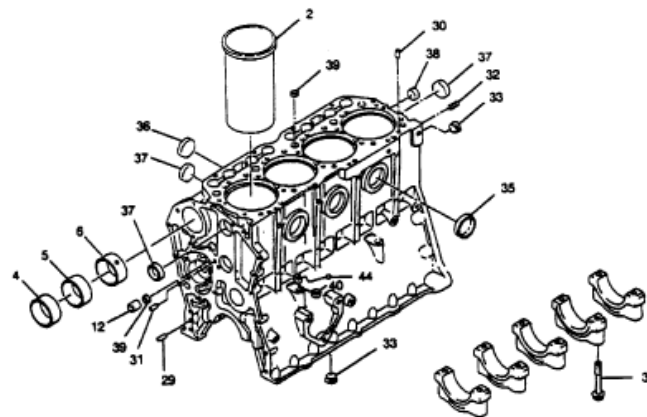


Parts List



Ref	Class	Part	Description	Qty	Comment	Footnote
1		834104370	BLOCK ASSEMBLY	1		
2	51	834671761	LINER-Cylinder-Code W	AR		3
2		834671771	LINER-Cylinder-Code X	AR		3
2		834671781	LINER-Cylinder-Code Y	AR		3
2	51	834671791	LINER-Cylinder-Code Z	AR		3
3		835211062	BOLT-Bearing Cap	10		
4	31	838111180	BEARING-Camshaft-#1	1		
5	31	838211190	BEARING-Camshaft-#2	1		
6	23	838311130	BEARING-Camshaft-#3	1		
7		831112920	PAN-Oil	1		
8		831412250	TUBE-Oil Lever Gauge	1		
9		833091061	HANGER-Engine	1		
10		836401120	DRIVE-Tachometer	1		
11		836941122	ADAPTER-Tachometer Drive	1		
12		831171100	BUSHING-Oil Pump	1		
13		833013991	GAUGE-Oil Level	1		
14		834611630	HOSE-Oil Removal	1		
15		834914401	BRACKET-Pipe	1		
16		839041140	CLIP	1		
17		839935260	HOLDER-Clip	1		
18		830211159	FLANGE	1		
19	10	831918169	BOLT-Banjo	1		
20	10	838108200	BOLT-Flange	2		
21		838908110	BOLT-Oil Pan	26		
21A	10	838108200	BOLT-Oil Pan	1		
22	10	839108162	BOLT	2		
23		839108161	BOLT	1		
24	10	839108201	BOLT-Drive	2		
25	11	830108070	NUT	3		
26	12	836008180	WASHER-Plain	1		
27	13	838008200	WASHER-Lock	1		
28		830912118	BOLT	1		
29		830408240	PIN-Guide	2		
30		830408160	PIN-Guide	2		
31		830405100	PIN-Guide	1		
32		830912103	PIN	2		
33	19	834999987	PLUG	2		
34	19	832917111	PLUG-Oil Hose	1		
35	19	833950103	PLUG-Cup	3		
36	19	833940104	PLUG-Cup	3		
37	19	833926102	PLUG-Cup	5		